

ULPC-L product information sheet

Product Specifications

Fits most: 37" - 55" flat panels

Supports up to: 150 lbs (68.0 kg)

Tilt: up to +15°

Mounting profile: 3.4" (86mm)*

Maximum extension: 25.5" (648mm)*

Universal & VESA compliant: 100x200, 200x200 and 300x200; up to 500x900 with adapter

Mounting: Double-stud

Warranty: 5 years

Color: Black

*Adapter adds .75" (19mm)



Product Benefits

- Arms completely nest for a discreet 3.4" (86mm) mounting profile
- Tilt, pan and swivel for maximum viewing flexibility
- Steel tube construction for maximum strength and durability
- Includes universal adapter for greater panel compatibility
- Rack and pinion tilt mechanism for effortless adjustment
- Integrated cable management with quick-snap covers guide wires
- Built-in screen leveling
- Lift n' Lock™ allows you to easily attach your flat panel to the mount
- Sliding on-wall adjustment (10" lateral; 2" vertical)
- Wide wall plate design for 16", 24" or 600mm studs
- Locking system secures panel to mount
- Wall plate covers conceal mounting hardware
- Installation template for simple and accurate mounting
- Interchangeable cable covers for a customized look (available as an accessory)
- Includes complete hardware kit

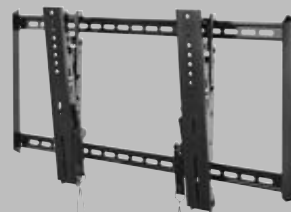


With OmniMount's low profile cantilevers, you get everything you want in one mount – the functionality and versatility of a full motion mount in a compact and discreet design

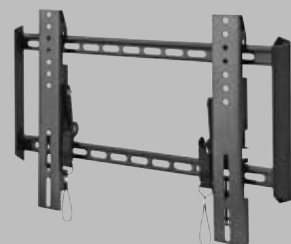
Series



CANTILEVER MOUNTS



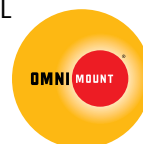
TILT MOUNTS



FIXED MOUNTS



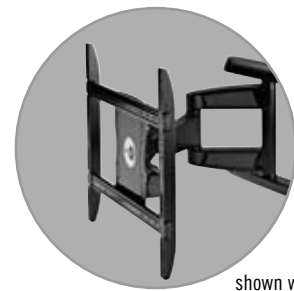
OmniMount, an innovator of A/V mounts and furniture for more than a quarter century, is the choice of professional installers and the brand most recommended by flat panel manufacturers. The Ultra Low Profile Series of fixed, tilt and cantilever mounts offers a sleek and slim design without compromising functionality. With an impressively low 3.4" (86mm) mounting profile, the ULPC-L is a large cantilever mount perfectly-suited for those applications where seamless integration counts most.



ULPC-L technical data sheet



OmniMount, an innovator of A/V mounts and furniture for more than a quarter century, is the choice of professional installers and the brand most recommended by flat panel manufacturers. The Ultra Low Profile Series of fixed, tilt and cantilever mounts offers a sleek and slim design without compromising functionality. With an impressively low 3.4" (86mm) mounting profile, the ULPC-L is a large cantilever mount perfectly-suited for those applications where seamless integration counts most.



shown with adapter

Product Specifications

Fits most: 37" - 55" flat panels

Supports up to: 150 lbs (68.0 kg)

Tilt: up to +15°

Mounting profile: 3.4" (86mm)*

Maximum extension: 25.5" (648mm)*

Universal & VESA compliant: 100x200, 200x200

and 300x200; up to 500x900 with adapter

Mounting: Double-stud

Warranty: 5 years

Color: Black

*Adapter adds .75" (19mm)

Product Benefits

- Arms completely nest for a discreet 3.4" (86mm) mounting profile
- Tilt, pan and swivel for maximum viewing flexibility
- Steel tube construction for maximum strength and durability
- Includes universal adapter for greater panel compatibility
- Rack and pinion tilt mechanism for effortless adjustment
- Integrated cable management with quick-snap covers guide wires
- Built-in screen leveling
- Lift n' Lock™ allows you to easily attach your flat panel to the mount
- Sliding on-wall adjustment (10" lateral; 2" vertical)

- Wide wall plate design for 16", 24" or 600mm studs
- Locking system secures panel to mount
- Wall plate covers conceal mounting hardware
- Installation template for simple and accurate mounting
- Interchangeable cable covers for a customized look (available as an accessory)
- Includes complete hardware kit

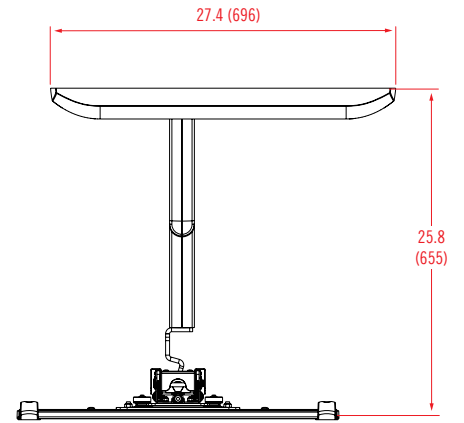
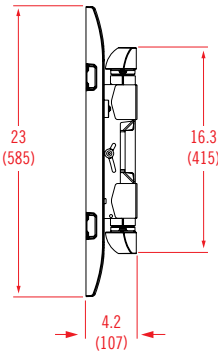
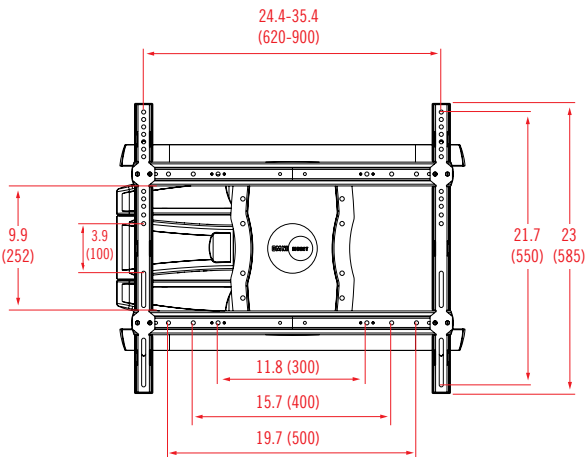
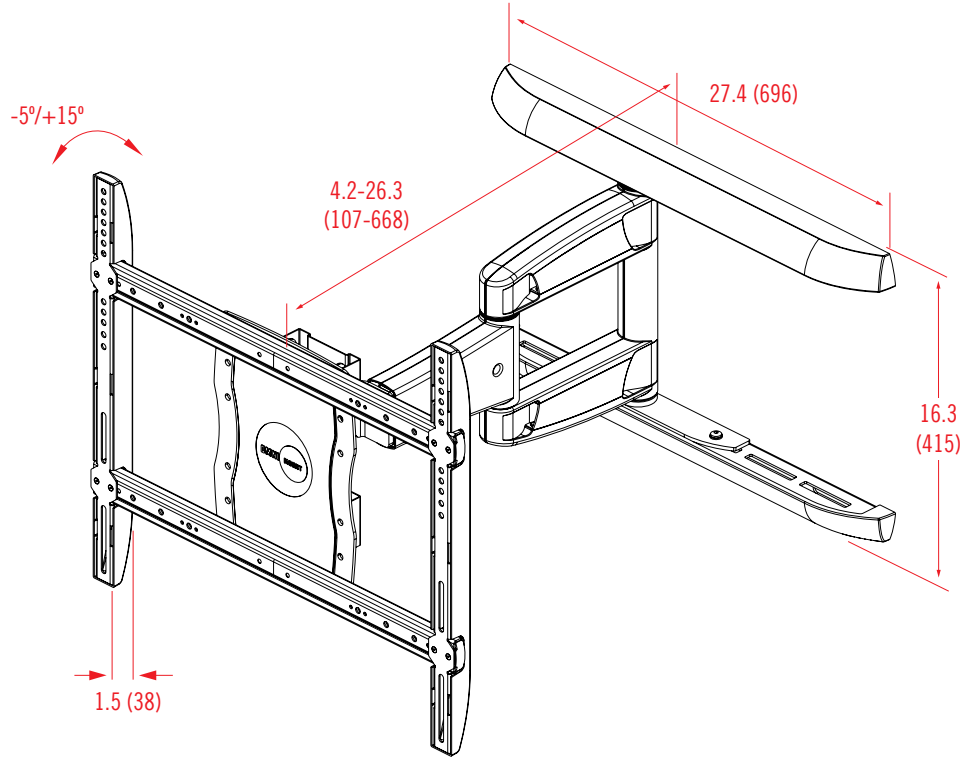
	Stock Code	Packaging UPC	MC UPC
Americas	1004537-1	728901023750	728901717208
International	1004537INT-1	728901023750	728901717208

	Dimensions WxDxH Inches (mm)	Wt lbs (kg)
Product Box	29.2 x 35.4 x 8.3 (742x900x212)	TBD
Master Carton	NA	NA

Box Contents	Qty
Monitor plate	1
Universal adapter	1
Wall rail	2
Wall rail cover	2
Cantilever arm	1

Box Contents	Qty
Cable cover	3
Complete mount installation hardware kit	1
Complete panel attachment hardware kit	1
Installation template	1
Instruction manual	1

ULPC-L line drawing



inches (mm)